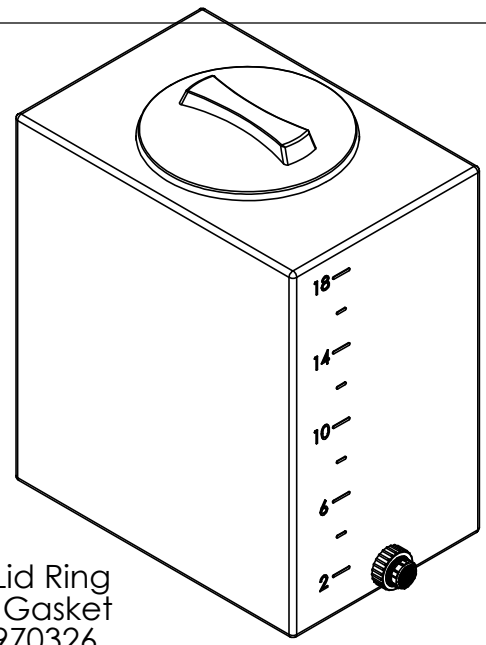
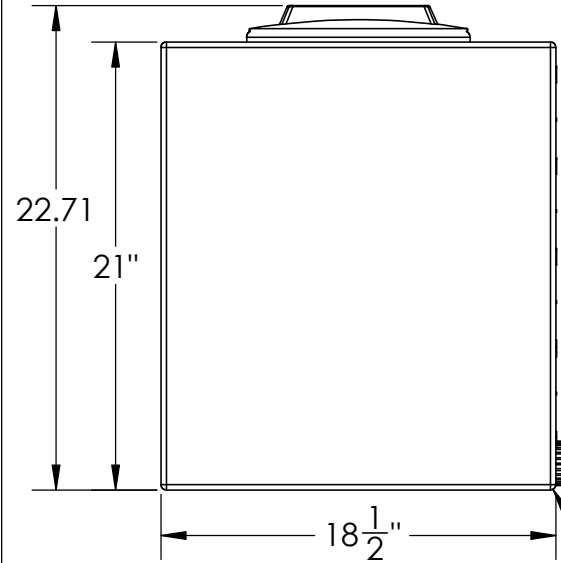


3/4" Bulkhead PP Fitting #970233

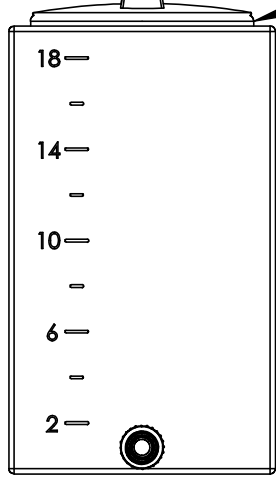
8" Closed Non-vented Lid #970325



8" Lid Ring w/ Gasket #970326



R 1/4"



Rectangular Utility Tank w/ Fitting & Gasketed Ring & Lid



1390 Neubrecht Road  
Lima, Ohio 45801

DIMENSIONS ARE IN INCHES TOLERANCE: ± 1/4"		NAME	DATE
MATERIAL	LLDPE - FDA resin	DRAWN	NJV 4/24/24
CAPACITY	18 Gallon	APPROVED	
GRADUATIONS	2 Gallon	REVISIONS	
NOMINAL WALL THICKNESS	3/16"	COMMENTS: Natural, Black, Blue UV Stabilized	

STOCK NO.	REV
23685, 23687, 23688	A
DO NOT SCALE DRAWING	WEIGHT: 15 lbs.

**PROPRIETARY AND CONFIDENTIAL**  
THE INFORMATION CONTAINED IN THIS DRAWING IS THE SOLE PROPERTY OF TAMCO. ANY REPRODUCTION IN PART OR AS A WHOLE WITHOUT THE WRITTEN PERMISSION OF TAMCO IS PROHIBITED.

MAX. OPERATING TEMP. 140°F  
INTERMITTENT SERVICE TO 160°F  
SEE CHEMICAL RESISTANCE CHART FOR COMPATABILITY